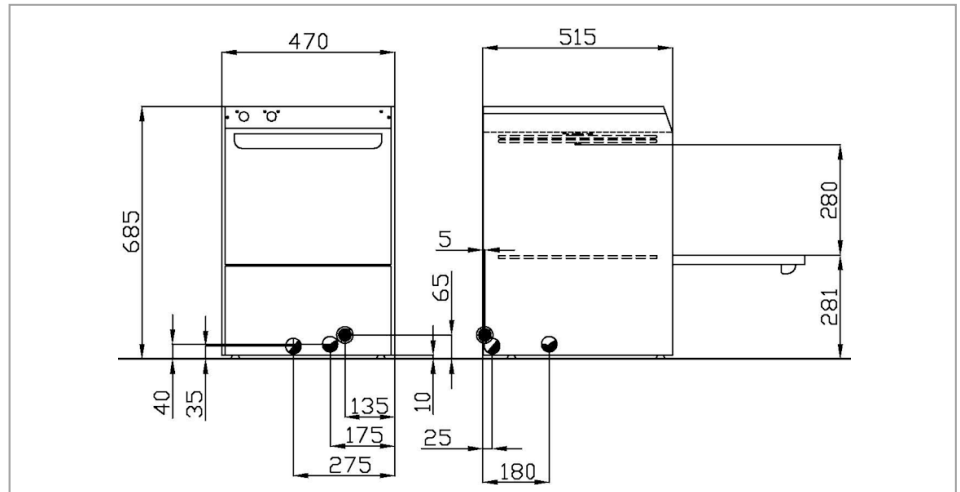


Glasswasher S28



FEATURES



- ❖ Insulated double skin cabinet construction reduces energy costs and noise levels to an absolute minimum.
- ❖ Double skinned stainless-steel door.
- ❖ Specially designed stainless steel, indented anti-clog wash and rinse arms, easily removed for cleaning, without tools.
- ❖ Pressed molded guides supports.
- ❖ Integral rinse aid dosing.
- ❖ Thermostatic system for rinse at 85°C.
- ❖ Micro switch door.
- ❖ New washing pump designed to guarantee electrical savings but also a higher washing performance.
- ❖ Double filters in the wash tank.
- ❖ Manual cold rinse push button.
- ❖ Upper wash arm.

TECHNICAL INFORMATION

Code 200270

Mechanical control panel	(sec.)	Baskets/h	Glasses/h
Cycle time *	120	30	750
Basket size		400 x 400 mm	
Wash pump: power / capacity		0,27 kW / 137 l/min	
Elements: tank / boiler		1,6 kW / 2,6 kW	
Water supply: temperature / pressure / hardness		max. 55°C / 200-400 kPa / min. 7 max. 12°F **	
Wash temperature / rinse temperature		55°C / 85°C	
Tank capacity / boiler capacity / water consumption per cycle		11 l / 2,7 l / 2,4 l	
Total power / Voltage		2,87 kW / 230 Volt 1 ~50 Hz	

OPTIONAL AND EQUIPMENT

● = standard ○ = on demand

Detergent dosing (PD)	○
Drain pump (PS)	○
Rinse booster pump (PR)	○
Cold rinse after the wash cycle (RF)	●
Internal water softener (A) with salt low warning lamp	○
Electronic control panel (EVO)	○
Baskets	2 glass basket, 1 teaspoon rack
Pipes	1 water supply, 1 drain, 1 rinse aid dosing

* theoretical production with water supply at 50° C ** above 12° F we suggest a water softener: Please note that internal water softeners are only suitable for cold water (< 30°C)