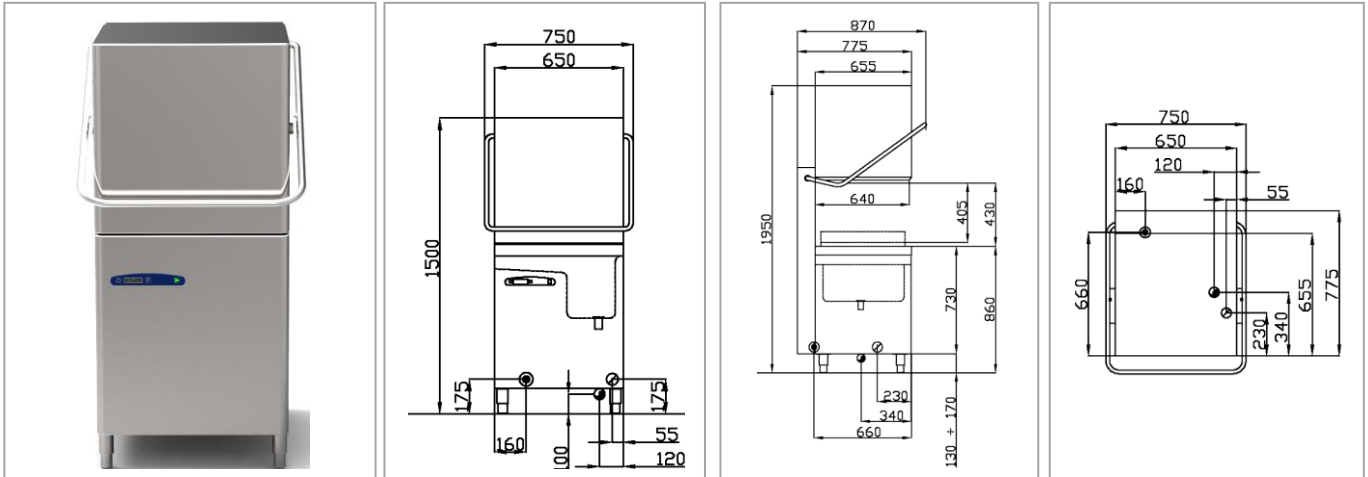


Dishwasher N1300S EVO



FEATURES



- ❖ Insulated double skin cabinet construction reduces energy costs, noise levels and keeps the wash area ambient temperature, to an absolute minimum.
- ❖ Specially designed stainless steel, indented anti-clog wash and rinse arms, easily removed for cleaning, without tools.
- ❖ Pressed molded wash tank with radial corners with sloping bottom and double inox filters for hygiene and easy maintenance.
- ❖ High efficiency, self-draining wash pump for greater hygiene and ultimate washing power.
- ❖ Integral peristaltic rinse aid dosing.
- ❖ EVO electronic control panel with LCD display.
- ❖ Energy saver on stand-by mode.
- ❖ Thermostatic system for rinse at 85°C.
- ❖ Micro safety switch hood.

TECHNICAL INFORMATION

Code

	(sec.)	Baskets/h	Dishes/h	Glasses/h
Digit control panel with LCD display				
Cycle time I * express	60	60	1.080	2.160
Cycle time II * classic	120	32	576	1.152
Cycle time III * normal	180	20	360	720
Cycle time IV * on-going	480	8	144	288
Basket size	500 x 500 mm			
Wash pump: power / capacity	1,42 kW / 644 l/min			
Elements: tank / boiler	3 kW / 10 kW			
Water supply: temperature / pressure / hardness	< 15°C // 200 - 400 kPa // min. 7 max. 12°F **			
Wash temperature / rinse temperature	55°C / 85°C			
Tank capacity / boiler capacity / water consumption per cycle	30 l / 9 l / 2,8 l			
Total power / Voltage	11,42 kW - 400 Volt 3/N/ 50 Hz			

OPTIONAL AND EQUIPMENT

● = standard ○ = on demand

Detergent dosing (PD)	○
Drain pump (PS)	○
Rinse booster pump (PR)	○
Internal water softener with automatic cycle (A) with salt low warning lamp	○
Re-direct valve to bypass the wash tank from regeneration water	○
Break tank with rinse booster pump (B)	○
HY-NRG / EVO (atmospheric boiler/rinse booster pump/air break)	○
Insulated double skin panel hood	●
Baskets	1 open rack, 2 dish rack (18), 1 cutlery basket
Pipes	1 water supply, 1 drain, 1 rinse aid dosing

* theoretical production with water supply at 50° C ** above 12° F we suggest a water softener. Please note that internal water softeners are only suitable for cold water (< 30°C)