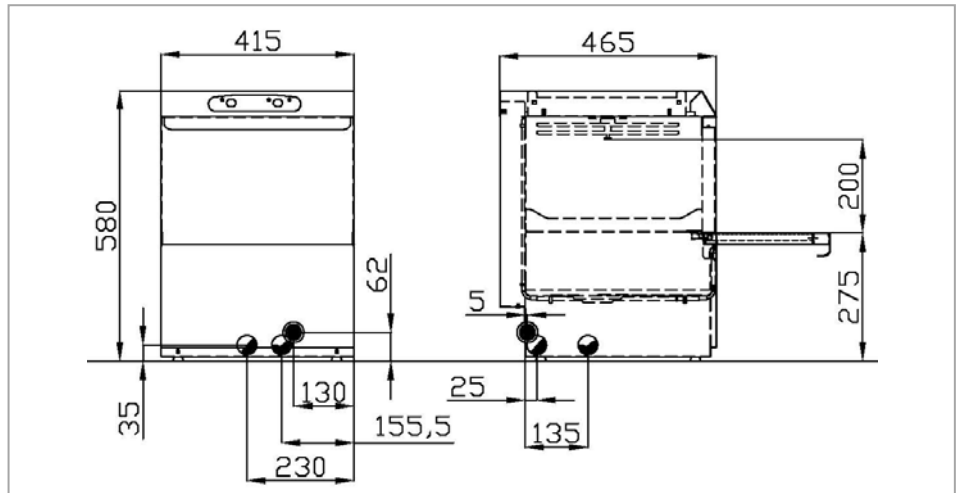


Glasswasher E35



FEATURES



- ❖ Double skinned stainless-steel door.
- ❖ Specially designed stainless steel, indented anti-clog wash and rinse arms, easily removed for cleaning, without tools.
- ❖ Integral rinse aid dosing.
- ❖ Micro switch door.
- ❖ The new washing pump is designed to guarantee electrical savings but also a higher washing performance.
- ❖ Double filters in the wash tank.

TECHNICAL INFORMATION

Code 100000

	(sec.)	Baskets/h	Glasses/h
Mechanical control panel			
Cycle time *	120	30	750
Basket size		350 x 350 mm	
Wash pump: power / capacity		0,17 kW / 109 l/min	
Elements: tank / boiler		1,6 kW / 2,6 kW	
Water supply: temperature / pressure / hardness		max. 55°C / 200-400 kPa / min. 7 max. 12°F **	
Wash temperature / rinse temperature		55°C / 85° C	
Tank capacity / boiler capacity / water consumption per cycle		11 l / 2,7 l / 2,4 l	
Total power / Voltage		2,77 kW / 230 Volt 1 ~50 Hz	

OPTIONAL AND EQUIPMENT

● = standard ○ = on demand

Detergent dosing (PD)	○
Drain pump (PS)	○
Rinse booster pump (PR)	○
Cold rinse after the wash cycle (RF)	○
Internal water softener (A)	○
Baskets	1 glass basket, 1 teaspoon rack
Pipes	1 water supply, 1 drain, 1 rinse aid dosing

* theoretical production with water supply at 50° C ** above 12° F we suggest a water softener: please note that internal water softeners are only suitable for cold water (< 30°C)