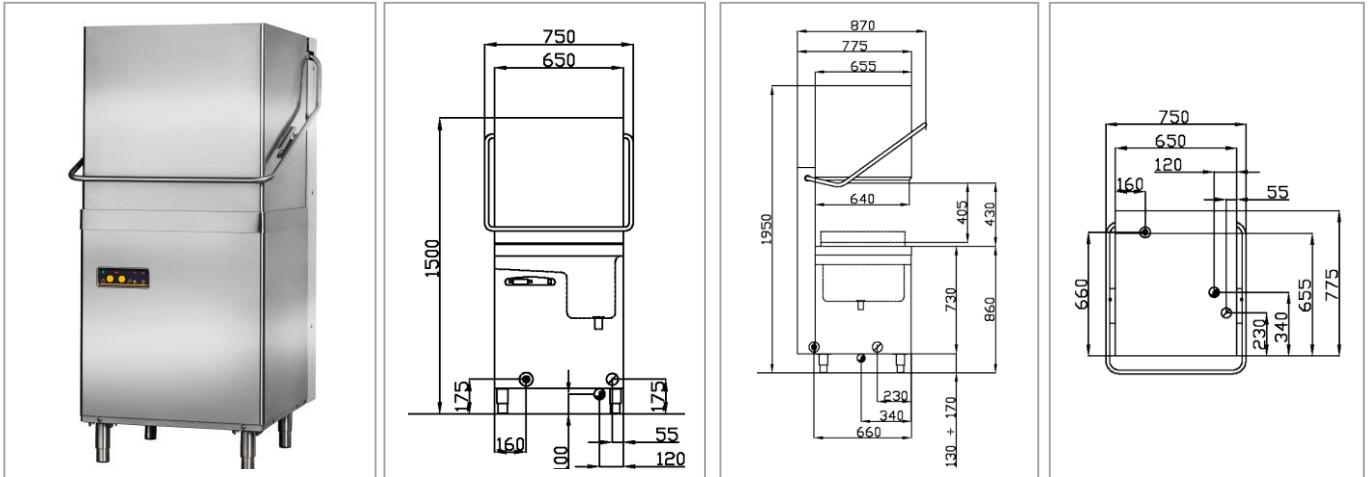


# Dishwasher N1000



## FEATURES



- ❖ Insulated double skin cabinet construction reduces energy costs, noise levels and keeps the wash area ambient temperature, to an absolute minimum.
- ❖ Specially designed stainless steel, indented anti-clog wash and rinse arms, easily removed for cleaning, without tools.
- ❖ Pressed molded wash tank with radial corners with sloping bottom and double inox filters for hygiene and easy maintenance.
- ❖ High efficiency, self-draining wash pump for greater hygiene and ultimate washing power.
- ❖ Integral peristaltic rinse aid dosing.
- ❖ Mechanical control panel.
- ❖ Thermostatic system for rinse at 85°C.
- ❖ Micro safety switch hood.

## TECHNICAL INFORMATION

Code 201319

Mechanical control panel	(sec.)	Baskets/h	Dishes/h	Glasses/h
Cycle time I *	120	30	540	1.080
Cycle time II *	180	20	360	720
Basket size	500 x 500 mm			
Wash pump: power / capacity	0,75 kW / 317 l/min			
Elements: tank / boiler	3 kW / 6 kW			
Water supply: temperature / pressure / hardness	max. 55°C // 200 - 400 kPa // min. 7 max. 12°F **			
Wash temperature / rinse temperature	55°C / 85° C			
Tank capacity / boiler capacity / water consumption per cycle	20 l / 5,5 l / 2,8 l			
Total power / Voltage	6,75 kW - 400 Volt 3/N/ 50 Hz			

## OPTIONAL AND EQUIPMENT

● = standard ○ = on demand

Detergent dosing (PD)	○
Drain pump (PS)	○
Rinse booster pump (PR)	○
Internal water softener (A) with salt low warning lamp	○
Re-direct valve to bypass the wash tank from regeneration water	○
Electronic control panel (EVO)	○
Break tank with rinse booster pump (B)	○
HY-NRG / EVO (atmospheric boiler/rinse booster pump/air break)	○
Insulated double skin panel hood	●
Baskets	1 open rack, 2 dish rack (18), 1 cutlery basket
Pipes	1 water supply, 1 drain, 1 rinse aid dosing

\* theoretical production with water supply at 50° C \*\* above 12° F we suggest a water softener. Please note that internal water softeners are only suitable for cold water (&lt; 30°C)