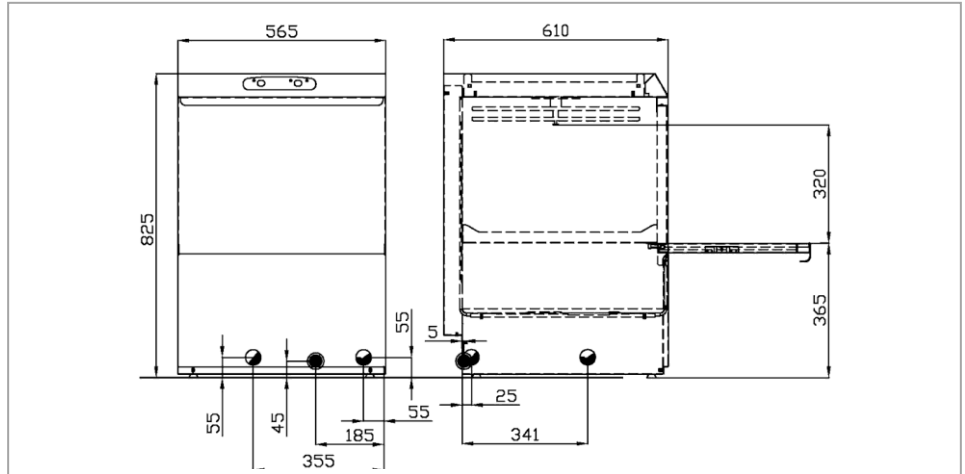


Dishwasher E50



FEATURES



- ❖ Double skinned stainless-steel door.
- ❖ Specially designed stainless steel, indented anti-clog wash and rinse arms, easily removed for cleaning, without tools.
- ❖ Integral rinse aid dosing.
- ❖ Mechanical control panel.
- ❖ Micro switch door.
- ❖ Stainless steel wash tank easy clean filter inside the sump for hygiene and easy maintenance.
- ❖ 32 cm wash height.

TECHNICAL INFORMATION

codes 100005 - 100006

Mechanical control panel	(sec.)	Baskets/h	Dishes/h	Glasses/h
Cycle time * <i>or alternatively at the choice</i>	120	32	576	1.152
Cycle time *	180	20	360	720
Basket size	500 x 500 mm			
Wash pump: power / capacity	0,4 kW / 261 l/min			
Elements: tank / boiler <i>or alternatively at the choice</i>	2 kW / 3,5 kW			
Elements: tank / boiler	2 kW / 4,5 kW			
Water supply: temperature / pressure / hardness	max. 55°C / 200 - 400 kPa / min. 7 max. 12°F **			
Wash temperature / rinse temperature	55°C / 85° C			
Tank capacity / boiler capacity / water consumption per cycle	26 l / 5,5 l / 2,5 l			
Total power / Voltage (when element boiler is 3,5 kW)	3,9 kW - 400 Volt 3/N/ 50 Hz // 230 Volt 1 ~50 Hz			
Total power / Voltage (when element boiler is 4,5 kW)	4,9 kW - 400 Volt 3/N/ 50 Hz // 230 Volt 1 ~50 Hz			

OPTIONAL AND EQUIPMENT

● = standard ○ = on demand

Detergent dosing (PD)	○
Drain pump (PS)	○
Rinse booster pump (PR)	○
Internal water softener (A)	○
Break tank with rinse booster pump (B)	○
Baskets	1 open rack, 1 dish rack (18), 1 cutlery basket
Pipes	1 water supply, 1 drain, 1 rinse aid dosing

* theoretical production with water supply at 50° C ** above 12° F we suggest a water softener. Please note that internal water softeners are only suitable for cold water (< 30°C)